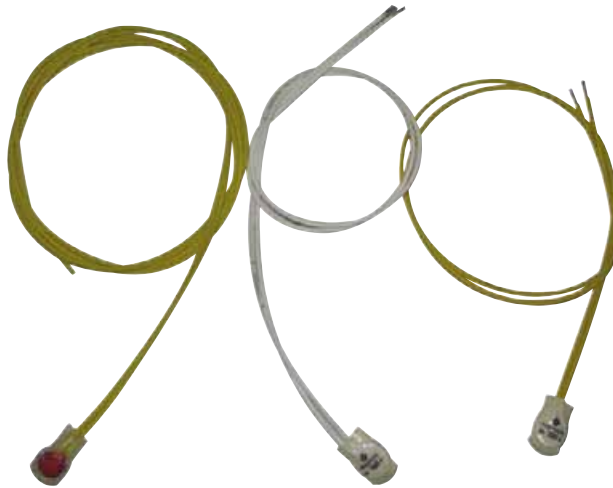


## BIMETALLIC THERMAL PROTECTORS

**series S01 (usually CLOSED)****technical features:**

voltage: 250 V AC 50/60 Hz  
n° interventions: 2,5 A. (10000 cicli) 6,3 A. (3000 cicli )  
Homologations: UL/CSA/VDE/BEAB/SEMKO

code	model	opening °C ± 5%	Cable length mm.
<b>S01.070.05</b>	S01.70	70° C	100/100
<b>S01.080.05</b>	S01.80	80° C	300/300
<b>S01.090.05</b>	S01.90	90° C	300/300
<b>S01.100.05</b>	S01.100	100° C	300/300
<b>S01.110.05</b>	S01.110	110° C	300/300
<b>S01.120.05</b>	S01.120	120° C	300/300
<b>S01.130.05</b>	S01.130	130° C	300/300
<b>S01.140.05</b>	S01.140	140° C	300/300
<b>S01.150.05</b>	S01.150	150° C	300/300
<b>S01.160.05</b>	S01.160	160° C	300/300

N.B. On demand thermal protector connected in couple or three with cables of different length from standard can be supplied.

## BIMETALLIC THERMAL PROTECTORS

**series S02 (usually OPEN)**

code	model	closing °C ± 5%	Cable length mm.
<b>S02.070.05</b>	S02.70	70 ° C	650/650

N.B. On demand thermal protector connected in couple or three with cables of different length from standard can be supplied.

BIMETALLIC THERMAL PROTECTORS

**series S06 (usually CLOSED)**



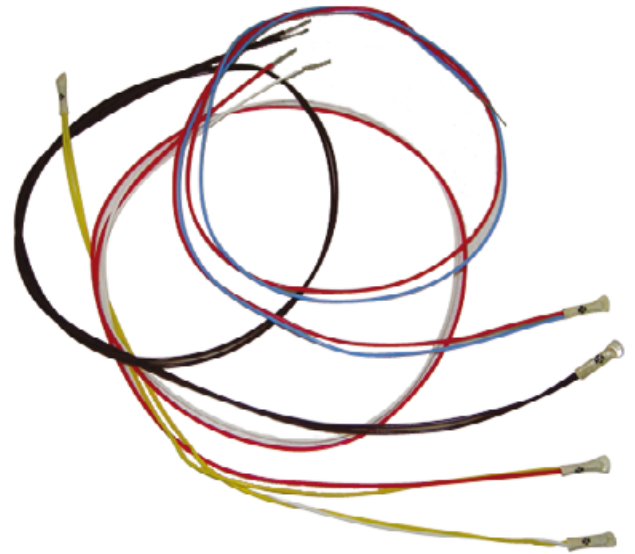
**technical features:**

voltage: 250 V AC 50/60 Hz  
 n° interventions: 10 A. (10000 cicli) 25 A. (2000 cicli)  
 Homologations: UL/CSA/VDE/BEAB/SEMKO

code	model	opening °C ± 5%	Cable length mm
<b>S06.070.05</b>	S06.70	70° C	100/100
<b>S06.080.05</b>	S06.80	80° C	300/300
<b>S06.090.05</b>	S06.90	90° C	300/300
<b>S06.100.05</b>	S06.100	100° C	300/300
<b>S06.110.05</b>	S06.110	110° C	300/300
<b>S06.120.05</b>	S06.120	120° C	300/300
<b>S06.130.05</b>	S06.130	130° C	300/300
<b>S06.140.05</b>	S06.140	140° C	300/300
<b>S06.150.05</b>	S06.150	150° C	300/300
<b>S06.160.05</b>	S06.160	160° C	300/300
<b>S06.170.05</b>	S06.170	170° C	300/300
<b>S06.180.05</b>	S06.180	180° C	300/300

N.B. On demand thermal protector connected in couple or three with cables of different length from standard can be supplied.

## THERMISTORS PTC



### technical features:

Max. voltage: 7,5 Volt D.C.  
 Insulating voltage: 2,5 Kv.  
 Insulating cap: Nomex-Mylar Ø max. 3 mm.  
 Cables Teflon: length 520 mm.

### Single thermistors

code	temperature °C	Cable colour	model
<b>PTC080S</b>	80	WHITE - WHITE	SINGLE
<b>PTC090S</b>	90	GREEN - GREEN	SINGLE
<b>PTC100S</b>	100	RED - RED	SINGLE
<b>PTC110S</b>	110	BROWN - BROWN	SINGLE
<b>PTC120S</b>	120	GREY - GREY	SINGLE
<b>PTC130S</b>	130	BLUE - BLUE	SINGLE
<b>PTC140S</b>	140	WHITE - BLUE	SINGLE
<b>PTC150S</b>	150	BLACK - BLACK	SINGLE
<b>PTC160S</b>	160	BLUE - RED	SINGLE

### Triple thermistors

code	temperature °C	Cable colour	model
<b>PTC080T</b>	80	WHITE - YELLOW - WHITE	TRIPLE
<b>PTC090T</b>	90	GREEN - YELLOW - GREEN	TRIPLE
<b>PTC100T</b>	100	RED - YELLOW - RED	TRIPLE
<b>PTC110T</b>	110	MARR. - YELLOW - MARR.	TRIPLE
<b>PTC120T</b>	120	GREY - YELLOW - GREY	TRIPLE
<b>PTC130T</b>	130	BLUE - YELLOW - BLUE	TRIPLE
<b>PTC135T</b>	135	RED - YELLOW - MARR.	TRIPLE
<b>PTC140T</b>	140	WHITE - YELLOW - BLUE	TRIPLE
<b>PTC145T</b>	145	WHITE - YELLOW - BLACK	TRIPLE
<b>PTC150T</b>	150	BLACK - YELLOW - BLACK	TRIPLE
<b>PTC155T</b>	155	BLUE - YELLOW - BLACK	TRIPLE
<b>PTC160T</b>	160	BLUE - YELLOW - RED	TRIPLE
<b>PTC170T</b>	170	WHITE - YELLOW - GREEN	TRIPLE
<b>PTC180T</b>	180	WHITE - YELLOW - RED	TRIPLE

# MODULES for THERMISTORS PTC

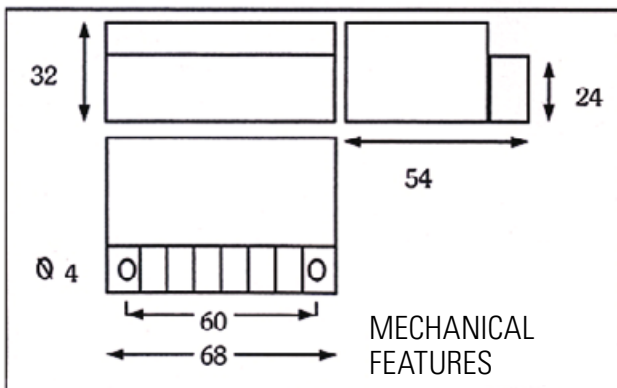
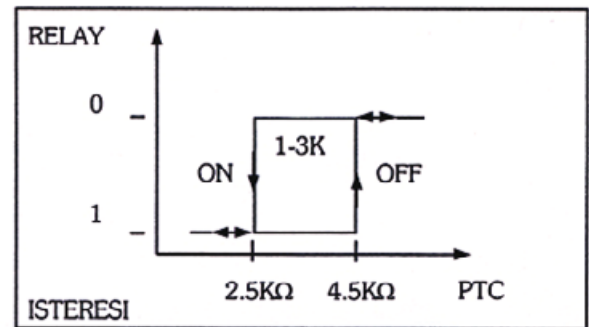
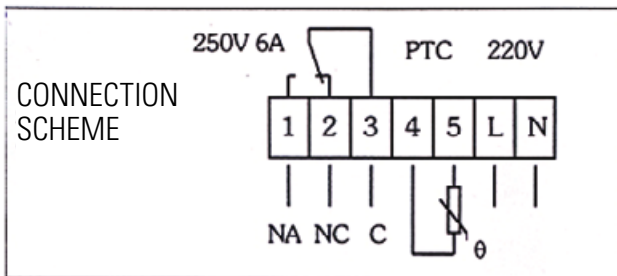


**General technical features:**

- Power supply: AC220V 50/60 Hz
- AC120V 50/60 Hz
- Consumption: 1,5 VA max
- Operating temperature: -20° +60°C
- Contact output relay: AC 250V 10A
- Assembly: built-in electrical panel /TB
- Accessories: adapter  $\Omega$  35mm

**MCM Standard Motor Control Module**

- Sensor: PTC
- Number of sensors: up to 9 in series
- Values given: < 1800  $\Omega$
- values of hysteresis: 1-3K



**MOTOR CONTROL MODULES**

Modules MCM-MCMT for safety of industrial motors are thought with new technologies which make them particularly safe also in rooms with strong stresses (e.g. High temperature). Small dimensions and great reliability of the device make possible the use of modules MCM-MCMT in every industrial set. Modules MCM-MCMT work according to safety, so lack of supply to PCT stops motor working.

**MCM Standard**

Temperature sensor PTC detects temperature of motor winding, if this value exceeds the threshold level of 4,5K  $\Omega$ , MCM module stops the motor. It will start again when detected temperature is below 2,5K  $\Omega$ .

code	model
<b>MCM</b>	MCM STANDARD PTC

## SENSORS PT100



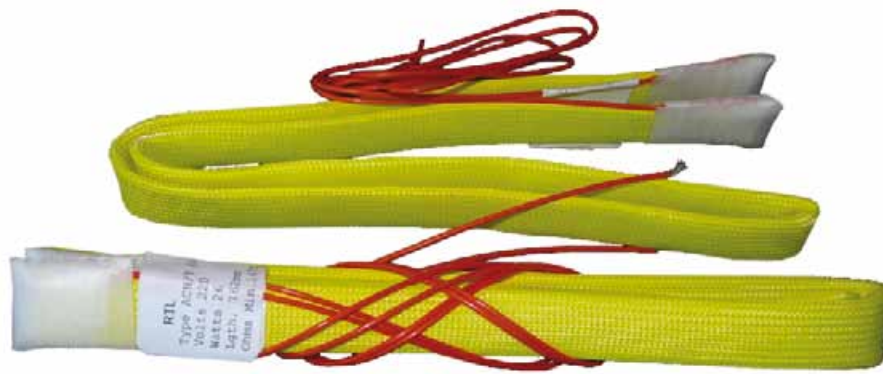
**technical features:**

operating field: da -50°C a +200 °C  
 silver plated copper braids insulated in MFA  
 cable length: n°3 x 2000 mm.  
 contacts type RTD (Platinum Resistance Temperature Detector)

code	model	materiale	dimensioni
<b>PT100</b>	R8/3 2F20	cap in pvc	Ø 2,5 mm.
<b>PT100BCS/6x150</b>	PT100 double canal	stainless steel inox	Ø 6 x 150 mm.
<b>PT100BCS/8x150</b>			Ø 8 x 150 mm.
<b>PT100CSG/6...</b>	PT100 shaded cable	stainless steel inox	Ø 6 x ...
<b>PT100CSG/8...</b>			Ø 8 x ...
<b>PT100R2x10,5...</b>	PT100 resin	Fiberglass resin	Sp. 2 mm. L. 10 mm x ...

N.B.: on demand PT100 in fiberglass resin and different dimensions from standard can be supplied.  
 Material can be supplied in compliance with ATEX regulations for stainless steel inox series.

# ANTI CONDENSATION HEATERS



**technical features:**

multi wire resistances in NICKEL-CHROMIUM  
 cover: adhesive tape in glass fiber reinforced polyester.  
 external jacket: fiberglass width mm 13 thickness mm 3  
 output cables: in PTFE mm 450 AWG 22

code	dimensions MEC	length mm	voltage V.	power W.
<b>00B/80</b>	80	203	220	8
<b>0B/9</b>	90	305	220	25
<b>1B/100</b>	100	432	220	26
<b>2B/112</b>	112	686	220	21
<b>3B/132</b>	132/160	686	220	40
<b>4B/180</b>	180/200	762	220	26
<b>5B/225</b>	225/250	1016	220	42
<b>6B/280</b>	280	1067	220	54
<b>7B/280</b>	280/315	1473	220	65
<b>8B/315</b>	315/355	1702	220	99

N.B. - on demand heaters with voltage 110V can be supplied.

