



# Capacitors

and circuit breakers







# ELECTRIC CAPACITORS 450 V

connection DOUBLE FASTON



**technical features:**

450 Volt 50/60Hz.  
 Continuous service 3000/h. classe C  
 Tolerance of capacity ± 5%  
 Operating temperature -25°C +85° C  
 Homologations VDE - KEMAEUR - CEI

code	Capacity μF	dimensions	
		diameter mm	height mm
<b>CD2208</b>	4	30	57
<b>CD2210</b>	5	30	57
<b>CD2212</b>	6,3	30	57
<b>CD2214</b>	8	35	57
<b>CD2216</b>	10	35	57
<b>CD2218</b>	12,5	35	70
<b>CD2220</b>	14	35	70
<b>CD2222</b>	16	35	70
<b>CD2224</b>	18	40	70
<b>CD2226</b>	20	40	70
<b>CD2228</b>	25	40	94
<b>CD2230</b>	30	40	94
<b>CD2231</b>	31,5	40	94
<b>CD2232</b>	35	45	94
<b>CD2234</b>	40	45	94

N.B. On demand you can have the plastic cap to cover the capacitor.

# ELECTRIC CAPACITORS 450 V

connection DOUBLE FASTON connection DOUBLE FASTON with THREADED TANK



**technical features:**

450 Volt 50/60Hz.  
 Continuous service 3000/h. classe C  
 Tolerance of capacity ± 5%  
 Operating temperature -25°C +85° C  
 Homologations VDE - KEMAEUR - CEI

code	Capacity μF	dimensions	
		diameter mm	height mm
<b>CD2304</b>	2	30	57
<b>CD2305</b>	2,5	30	57
<b>CD2306</b>	3,15	30	57
<b>CD2308</b>	4	30	57
<b>CD2310</b>	5	30	57
<b>CD2312</b>	6,3	30	57
<b>CD2314</b>	8	35	57
<b>CD2316</b>	10	35	57
<b>CD2318</b>	12,5	35	70
<b>CD2320</b>	14	35	70
<b>CD2322</b>	16	35	70
<b>CD2324</b>	18	40	70
<b>CD2326</b>	20	40	70
<b>CD2328</b>	25	40	94
<b>CD2330</b>	30	40	94
<b>CD2332</b>	35	45	94
<b>CD2334</b>	40	45	94
<b>CD2336</b>	45	50	94
<b>CD2338</b>	50	50	94
<b>CD2340</b>	55	50	94
<b>CD2342</b>	60	55	119
<b>CD2344</b>	70	55	119
<b>CD2346</b>	80	55	119

N.B. On demand you can have the plastic cap to cover the capacitor.



# ELECTRIC CAPACITORS 450 V

BIPOLAR CABLE ( length 250 mm )



**technical features:**

450 Volt 50/60Hz.  
 Continuous service 3000/h. classe C  
 Tolerance of capacity ± 5%  
 Operating temperature -25°C +85° C  
 Homologations VDE - KEMAEUR - CEI

code	Capacity μF	dimensions	
		diam. mm	height mm
<b>CD2414</b>	8	35	57
<b>CD2416</b>	10	35	57
<b>CD2418</b>	12,5	35	70
<b>CD2420</b>	14	35	70
<b>CD2422</b>	16	35	70
<b>CD2424</b>	18	40	70
<b>CD2426</b>	20	40	70
<b>CD2428</b>	25	40	94
<b>CD2430</b>	30	40	94
<b>CD2432</b>	35	45	94
<b>CD2434</b>	40	45	94
<b>CD2436</b>	45	50	94
<b>CD2438</b>	50	50	94
<b>CD2440</b>	55	50	94
<b>CD2442</b>	60	55	119
<b>CD2444</b>	70	55	119
<b>CD2446</b>	80	55	119
<b>CD2448</b>	100	64	121

# ELECTRIC CAPACITORS 450 V

UNIPOLAR DOUBLE CABLE ( length 150 mm )

**technical features:**

450 Volt 50/60Hz.  
Continuous service  
Tolerance of capacity ± 5%  
Operating temperature -25°C +85° C  
Homologations VDE - KEMAEUR - CEI

3000/h. classe C

± 5%

-25°C +85° C

VDE - KEMAEUR - CEI

code	Capacity μF	dimensions	
		diameter mm.	height mm.
<b>CD2502</b>	1	25	57
<b>CD2503</b>	1,5	25	57
<b>CD2504</b>	2	25	57
<b>CD2505</b>	2,5	25	57
<b>CD2506</b>	3,15	30	57
<b>CD2508</b>	4	30	57
<b>CD2510</b>	5	30	57
<b>CD2512</b>	6,3	30	57
<b>CD2514</b>	8	35	57
<b>CD2516</b>	10	35	57
<b>CD2518</b>	12,5	35	57



## ELECTROLYTIC CAPACITORS 220 V



**technical features:**

220 Volt. 50/60 Hz.  
Homologations

VDE 560-8 ASE 1029-IEC 252

code	Capacity µF	dimensions	
		diam. mm	height mm
<b>CDE5002</b>	50-63	36,5	98
<b>CDE5003</b>	63-76	36,5	98
<b>CDE5004</b>	80-96	36,5	98
<b>CDE5005</b>	100-120	36,5	98
<b>CDE5006</b>	120-150	46	98
<b>CDE5007</b>	156-187	46	98
<b>CDE5008</b>	200-240	46	98

## CABLE TIES (OR ZIP TIES)

in POLYAMIDE PA6.6 SELF EXTINGUISHING



code	dimensions length mm.	dimensions width mm.	package pieces
<b>1610.25</b>	98	2,5	100
<b>1616.25</b>	160	2,6	100
<b>1620.36</b>	200	3,6	100
<b>1629.48</b>	290	4,8	100

## CAPS for CAPACITORS

in plastic material



code	diameter mm.
<b>CA30.40</b>	30
<b>CA36.40</b>	36
<b>CA40.40</b>	40
<b>CA45.40</b>	45
<b>CA50.40</b>	50
<b>CA55.40</b>	55





# ELECTRONIC CIRCUIT BREAKER

BIPOLAR CABLE ( length 300 mm )



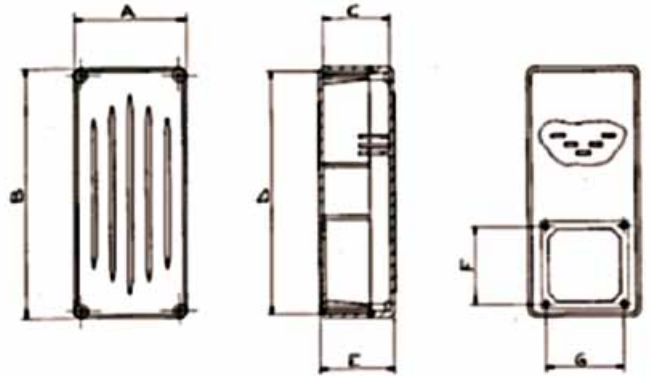
**technical features:**

- Nominal voltage: 450 Volt 50/60 Hz.
- Minimum operating voltage: 150 Volt 50/60 Hz.
- Nominal operating time: 1,5 secondi.
- Maximum current: 16 A.
- Tolerance of capacity: ± 10% - ± 5%
- Operating temperature: -25°C + 85°C
- Homologations: EN 60252-1
- Continuous service
- Minimum time of turn-off 0,5 seconds (between a cycle and the next one)

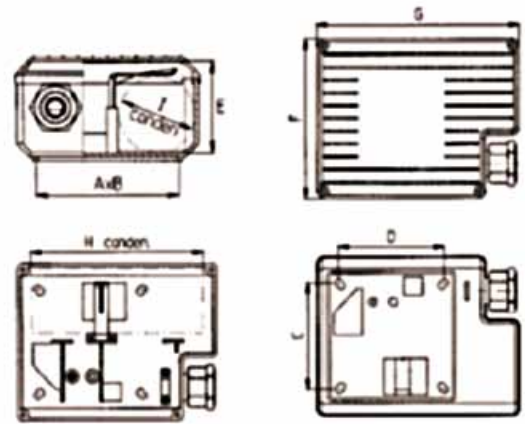
code	Capacity µF.	dimensions	
		diam. mm.	height mm.
<b>DE2520</b>	20	55	94
<b>DE2530</b>	30	55	94
<b>DE2540</b>	40	55	94
<b>DE2550</b>	50	55	121
<b>DE2560</b>	60	55	121
<b>DE2570</b>	70	60	121
<b>DE2580</b>	80	65	130
<b>DE2585</b>	85	65	130
<b>DE25100</b>	100	65	130

# CAPACITOR HOLDERS

IN THERMOPLASTIC MATERIAL



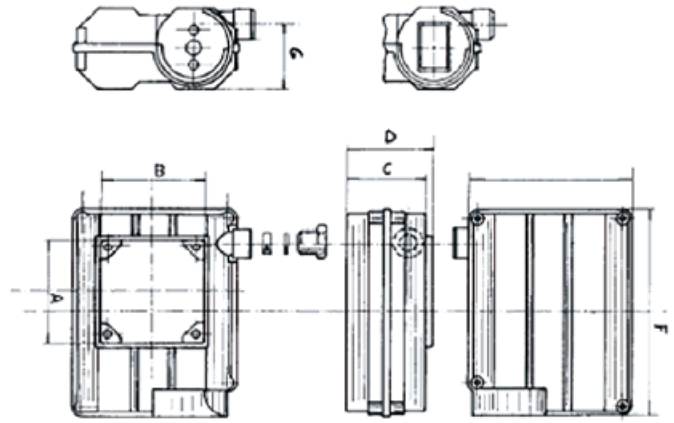
code	dimensions		
	A x B	G x F	E
<b>FM201PC01</b>	112x230	73x73	69



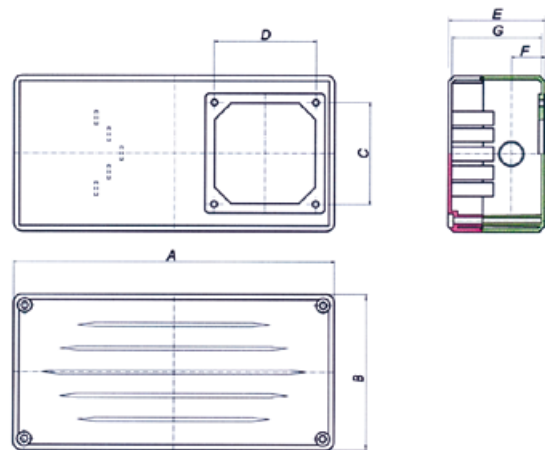
code	dimensions			cable gland
	A x B	C x D	F x G	
<b>FM202PC01</b>	70x75	60x65	87x117	PG11
<b>FM202PC02</b>	74x79	60x60	87x117	PG11
<b>FM203PC01</b>	85x85	70x70	110x141	PG16
<b>FM203PC02</b>	85x85	73x73	110x141	PG16



**CAPACITOR HOLDERS**  
IN THERMOPLASTIC MATERIAL



code	dimensions		cable gland
	A x B	E x F	
<b>FM204PC03</b>	63x63	127x157	PG13,5
<b>FM204PC04</b>	65x65	127x157	PG13,5
<b>FM204PC01</b>	70x70	127x157	PG13,5
<b>FM204PC02</b>	73x73	127x157	PG13,5



code	dimensions			cable gland
	A x B	C x D	E	
<b>PM205PC01</b>	170 x 123	70 x 70	58	PG16